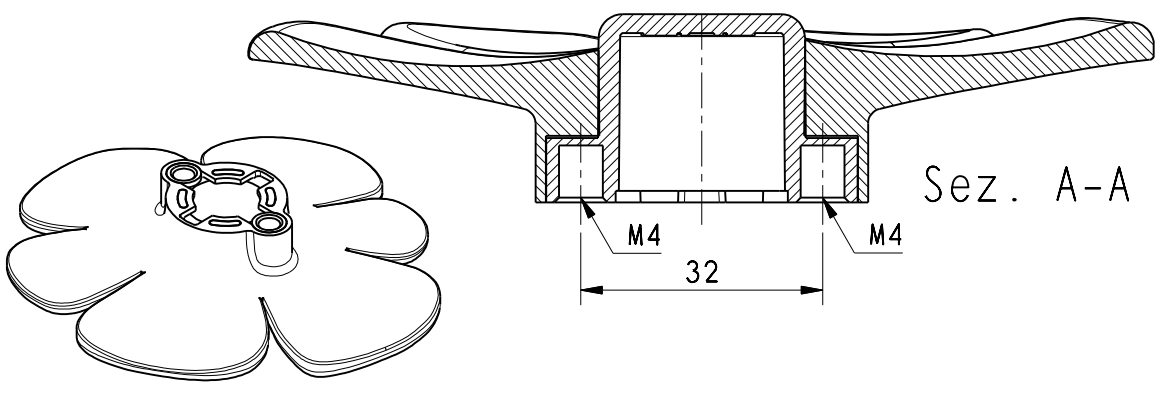


1 2 3 4 5

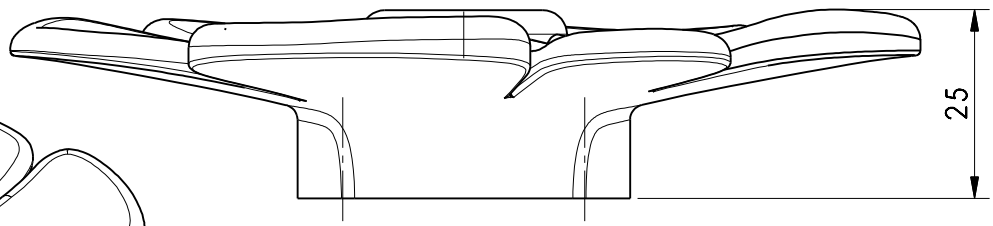
A

A



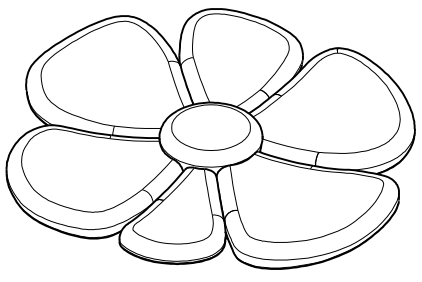
B

B



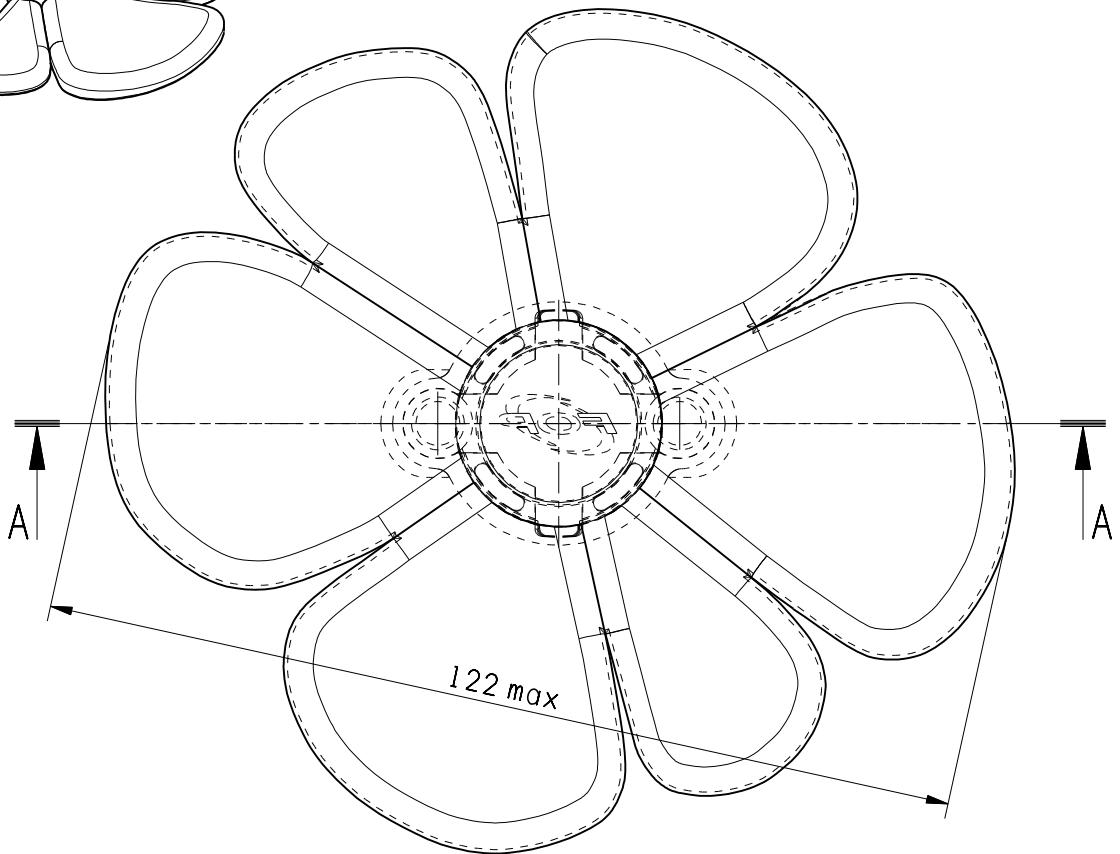
C

C



D

D



E

E

MATERIAL: ABS

F

F

REV	POSITION	DESCRIPTION	DATE	NAME
			UNIT mm	TYPE DRAFT DRAWING
ART. 0932		FILENAME *****	CREATED BY *****	FORMAT A4
PROJECT NAME *****		CLIENT *****	CREATION DATE *****	REVISION ***
			PART CODE	SHEET 1 / 1
			TOOL CODE	*****
			CHECKED BY *****	CHECKED_DATE *****

G

G

1 2 3 4 5